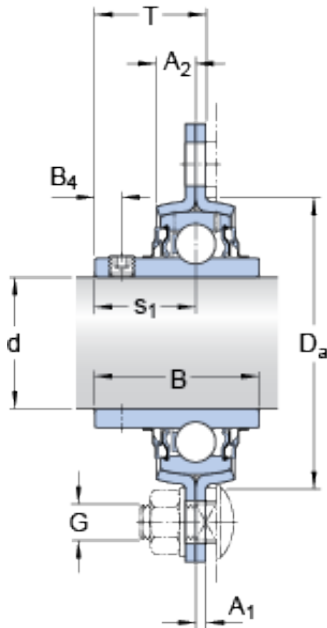




DODGE CONSOLIDATED BEARING CO., LTD.



PFD 20 TR Bearing 2D drawings and 3D CAD models

SKF PFD 20 TR Unidades de rolamento

Bearing No. PFD 20 TR

Size	20x2x8 mm
Bore Diameter	20 mm
Outer Diameter	2 mm
Width	8 mm
d	20 mm
A ₁	2 mm
A ₂	8 mm
B	31 mm
B ₄	4.5 mm
D _a - min.	51 mm
J	71.4 mm
H	90 mm
H ₁	32 mm
H	8.7 mm
s ₁	18.3 mm
T	20.3 mm
Basic dynamic load rating - C	12.7 kN
Basic static load rating - C ₀	6.6 kN
Fatigue load limit - P _u	0.28 kN
Permissible radial housing load	max. 3.3 kN
Weight	0.25 kg
Thread - G ₂	M6x0.75
Hexagonal key size for grub screw - H	3 mm



DODGE CONSOLIDATED BEARING CO., LTD.

Housing material	Pressed steel
A ₁	2 mm
A ₂	8 mm
B ₄	4.5 mm
D _a min.	51 mm
H ₁	32 mm
N	8.7 mm
s ₁	18.3 mm
Basic dynamic load rating C	12.7 kN
Basic static load rating C ₀	6.55 kN
Fatigue load limit P _u	0.28 kN
Permissible radial housing load max.	3.3 kN
Mass unit	0.25 kg
Thread grub screw G ₂	M6x0.75
Hexagonal key size for grub screw N	3 mm
Recommended tightening torque for grub screw	4 N · m
Recommended diameter for attachment bolts, mm G	8 mm
Recommended diameter for attachment bolts, inch G	0.3125 in