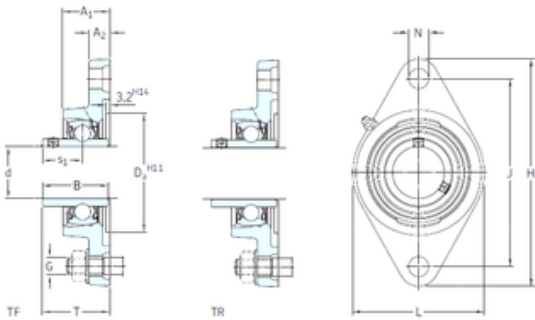




**SKF FYTJ 45 TF Unidades de rolamento**



Bearing No. FYTJ 45 TF

Bore Diameter	45 mm
d	45 mm
Da	98,4 mm
s1	30,2 mm
A1	38 mm
B	49,2 mm
G	16 mm
H	188 mm
J	148 mm
L	108 mm
N	19 mm
T	52,2 mm
A2	18 mm
Weight	2,2 Kg
Basic dynamic load rating (C)	33,2 kN
Basic static load rating (C0)	21,6 kN
Fatigue load limit (Pu)	0,915
Category	Flange Block Bearings
Inventory	0.0
Manufacturer Name	SKF
Minimum Buy Quantity	N/A
Weight / Kilogram	1.994
EAN	7316571043029
Product Group	M06110
Number of Mounting Holes	2
Mounting Method	Set Screw

FYTJ 45 TF Bearing 2D drawings and 3D CAD models



## DODGE CONSOLIDATED BEARING CO., LTD.

Housing Style	2 Bolt Flange Block
Rolling Element	Ball Bearing
Housing Material	Cast Iron
Expansion / Non-expansion	Non-expansion
Mounting Bolts	16 Millimeter
Relubricatable	Yes
Insert Part Number	YAR 209-2F
Seals	M Seal
Housing Configuration	1 Piece Solid
Pilot Configuration	No Pilot
Inch - Metric	Metric
Long Description	2 Bolt Flange Block; 45MM Bore; 148MM Bolt Circle; 148MM Bolt Spacing; 1 Piece Solid; Set Screw Mount; Cast Iron; Ball Bearing; 49.2MM Length Thru Bore; Relubricatable; M Seal Seals
Other Features	Single Row   Wide Inner Race   Open End   Has Flinger
Category	Flange Block
UNSPSC	31171501
Harmonized Tariff Code	8483.20.40.40
Noun	Bearing
Keyword String	Flanged
Manufacturer URL	<a href="http://www.skf.com">http://www.skf.com</a>
Manufacturer Item Number	FYTJ 45 TF
Weight / LBS	4.63
Cartridge Pilot Depth	0 Inch   0 Millimeter
Bolt Spacing	5.827 Inch   148 Millimeter
Cartridge Pilot Diameter	0 Inch   0 Millimeter
Length Thru Bore	1.937 Inch   49.2 Millimeter
Bore	1.772 Inch   45 Millimeter



## DODGE CONSOLIDATED BEARING CO., LTD.

Nominal Bolt Circle Diameter Round	5.8 Inch   148 Millimeter
Housing material	Cast iron
$D_a$	98.4 mm
$D_{b1}$	102 mm
$D_{b2}$	108 mm
A	38 mm
$A_1$	18 mm
$A_3$	3.2 mm
$B_4$	8 mm
$s_1$	30.2 mm
$R_G$	1/4-28 UNF
$R_1$	23 mm
R	45 °
$D_N$	6.5 mm
$SW_N$	7 mm
$G_N$	1/4-28 SAE-LT
$J_6$	120 mm
$J_7$	18 mm
$N_4$	2 mm
Basic dynamic load rating C	33.2 kN
Basic static load rating $C_0$	21.6 kN
Fatigue load limit $P_u$	0.915 kN
Limiting speed	4300 r/min
Mass bearing unit	1.8 kg
Thread grub screw $G_2$	M8x1
Hexagonal key size for grub screw N	4 mm
Recommended tightening torque for grub screw	6.5 N · m
Recommended diameter for attachment bolts, mm G	16 mm
Recommended diameter for attachment bolts, inch G	0.625 in



**DODGE CONSOLIDATED BEARING CO., LTD.**