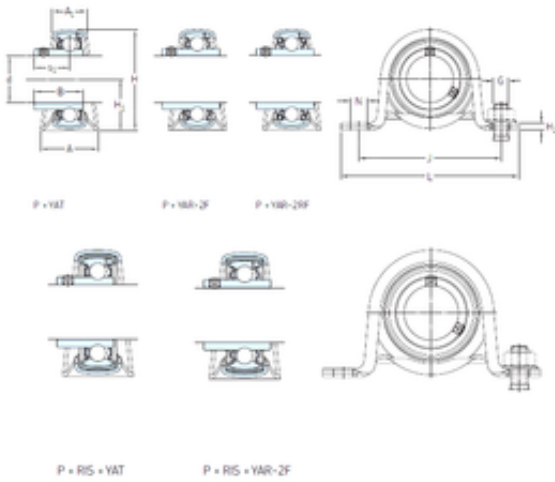




# DODGE CONSOLIDATED BEARING CO., LTD.



## SKF P 47 R-17 FM Unidades de rolamento

Bearing No. P 47 R-17 FM

Bore Diameter	17 mm
d	17 mm
s <sub>1</sub>	22,1 mm
A	32 mm
A <sub>1</sub>	21 mm
B <sub>1</sub>	28,6 mm
G	8 mm
H	50 mm
H <sub>1</sub>	25,2 mm
H <sub>2</sub>	3 mm
J	76 mm
L	99 mm
N	9,6 mm
Weight	0,22 Kg
Basic dynamic load rating (C)	9,56 kN
Basic static load rating (C <sub>0</sub> )	4,75 kN
Housing material	Pressed steel
A <sub>1</sub>	21 mm
B <sub>1</sub>	28.6 mm
H <sub>1</sub>	25.3 mm
H <sub>2</sub>	3 mm
s <sub>1</sub>	22.6 mm
Basic dynamic load rating C	9.56 kN
Basic static load rating C <sub>0</sub>	4.75 kN
Fatigue load limit P <sub>u</sub>	0.2 kN
Permissible radial housing	1.7 kN

P 47 R-17 FM Bearing 2D drawings and 3D CAD models



## DODGE CONSOLIDATED BEARING CO., LTD.

load max.	
Limiting speed	9500 r/min
Mass bearing unit	0.2 kg
Thread grub screw G <sub>2</sub>	M6x0.75
Hexagonal key size for grub screw N	3 mm
Recommended tightening torque for grub screw	4 N · m
Recommended diameter for attachment bolts, mm G	8 mm
Recommended diameter for attachment bolts, inch G	0.3125 in