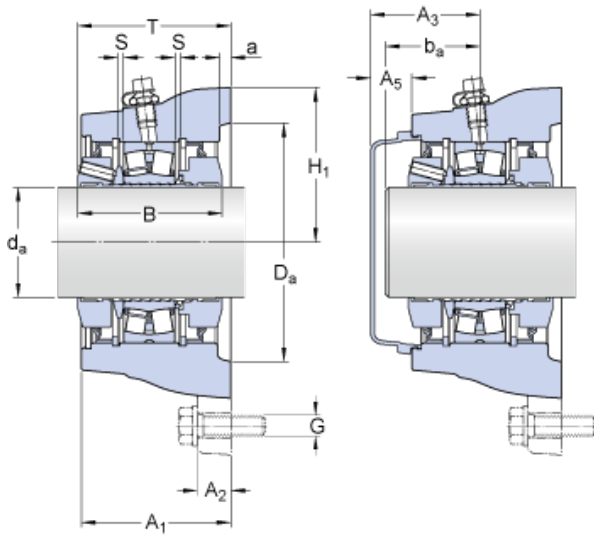




# DODGE CONSOLIDATED BEARING CO., LTD.



FYNT 70 L Bearing 2D drawings and 3D CAD models

## SKF FYNT 70 L Unidades de rolamento

Bearing No. FYNT 70 L

Size	70x82x25 mm
Bore Diameter	70 mm
Outer Diameter	82 mm
Width	25 mm
$d_a$	70 mm
$A_1$	82 mm
$A_2$	25 mm
T - max.	81.3 mm
B	72 mm
H	196 mm
$H_1$	98 mm
J	152 mm
L	196 mm
$D_a$	150 mm
H	19 mm
a	6 mm
S	2.5 mm
$J_5$	87 mm
$J_6$	54 mm
$N_4$ - max.	8 mm
$A_3$	80 mm
$A_5$	38.5 mm
$b_a$ - min.	38 mm
$b_a$ - max.	70 mm
Basic dynamic load rating -	208 kN



## DODGE CONSOLIDATED BEARING CO., LTD.

C	
Basic static load rating - $C_0$	228 kN
Fatigue load limit - $P_u$	25.5 kN
Limiting speed	2600 r/min
Calculation factor - e	0.22
Calculation factor - $Y_1$	3
Calculation factor - $Y_2$	4.6
Diameter - $d_m$	97.5 mm
Basic Designation bearing	22214 E
$P_a$	20 kN
$P_1$	150 kN
$P_2$	140 kN
$P_3$	340 kN
Mass bearing unit	11 kg
Category	Bearings
Inventory	0.0
Manufacturer Name	SKF
Minimum Buy Quantity	N/A
Weight / Kilogram	0.762
Product Group	M06288
$d_a$	70 mm
$A_1$	82 mm
$A_2$	25 mm
T max.	81.3 mm
$H_1$	98 mm
$D_a$	150 mm
N	19 mm
$A_3$	80 mm
$A_5$	38.5 mm
$b_a$ min.	38 mm
$b_a$ max.	70 mm



## DODGE CONSOLIDATED BEARING CO., LTD.

$J_5$	87 mm
$J_6$	54 mm
$N_4$ max.	8 mm
Basic dynamic load rating C	208 kN
Basic static load rating $C_0$	228 kN
Fatigue load limit $P_u$	25.5 kN
Calculation factor e	0.22
Calculation factor $Y_1$	3
Calculation factor $Y_2$	4.6
Bearing mean diameter $d_m$	97.5 mm
$P_1$	150 kN
$P_2$	140 kN
$P_3$	340 kN
$P_a$	20 kN
Attachment bolt diameter G	16 mm
Tightening torque for attachment bolts	200 N · m
Grub screws	4 x M 6
Tightening torque for grub screws	8 N · m
Grease quantity for relubrication	8 g